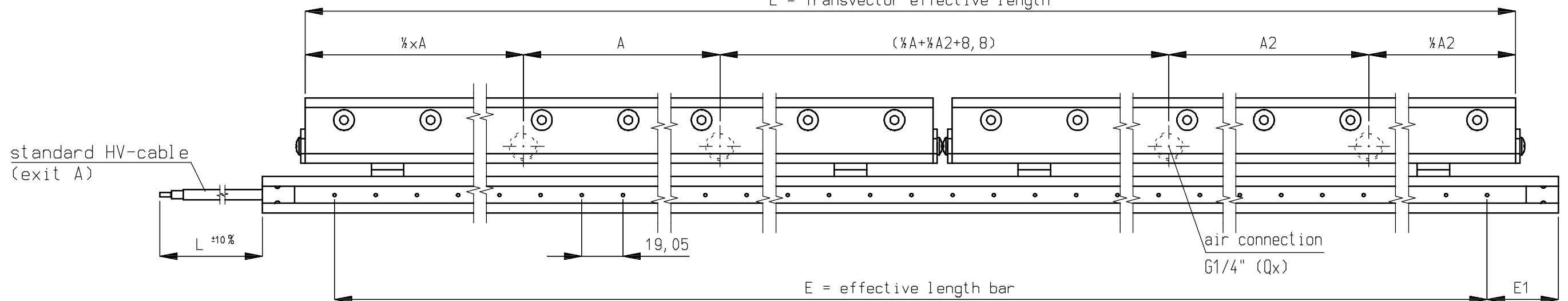
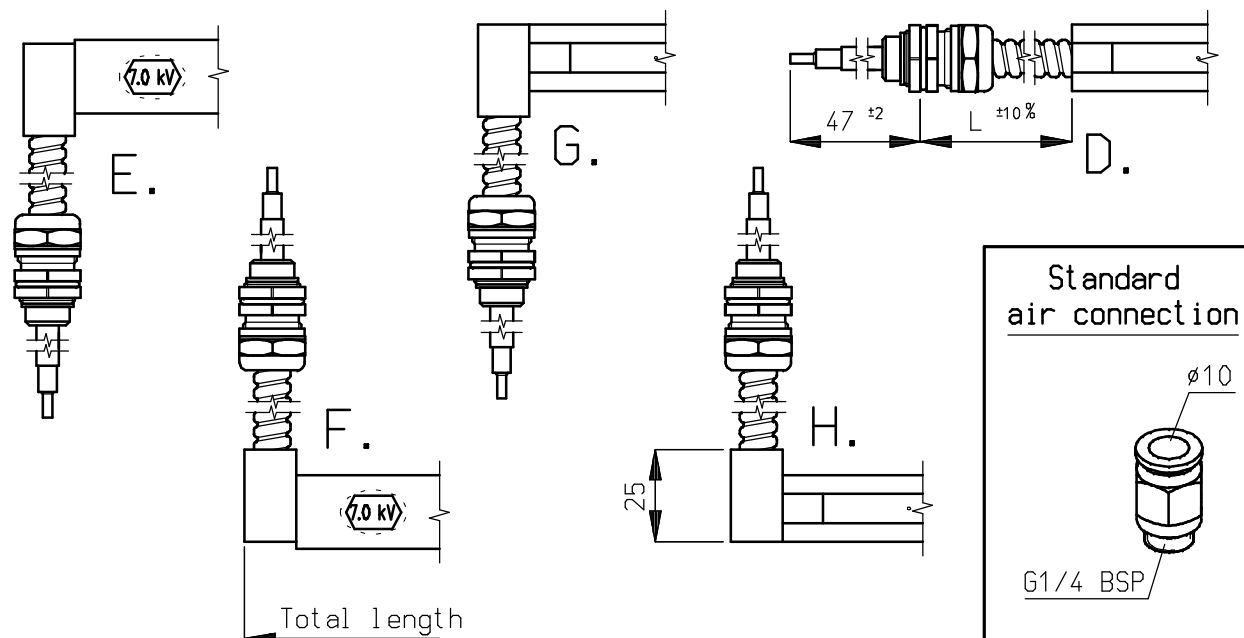


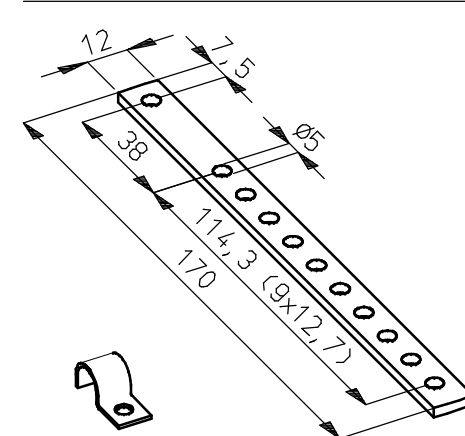
L = Transvector effective length



Cable exit options: with shielded HV-cable



Standard mounting brackets/cable clamps



Amount of cable clamps = (cable length(m)x4)-1

Table of dimensions

L(Transvector)	T	E	E1	B	B1	B2	Q	A	A2	
(78")	2008,0	2045	1981,2	32	1931	57	1000	7	269,0	307,8
(84")	2160,4	2200	2133,6	33	2084	58	1000	8	269,0	269,0
(90")	2312,4	2350	2286,0	32	2236	57	1152	8	307,1	269,0
(96")	2465,2	2505	2438,4	33	2389	58	1152	8	307,1	307,1
(102")	2626,6	2675	2609,9	33	2549	63	1312	9	277,9	307,1
(108")	2788,0	2830	2762,3	34	2712	59	1314	10	277,9	277,9

NOTE:

Q = Quantity of Air connections G 1/4"

SIMCO ION
An ITW Company
www.simco-ion.nl Tel: +31 (0)573 288333

Name: MEB + transvector 2000 - 2830mm (78" - 108")

Drawn: MVN Part no: -

CAD generated NOT updated Dimensions in mm Date: 1-5-2011 A3 M: 1:1 ECN2011-073 Check: - Dwg. no: 15020001/A