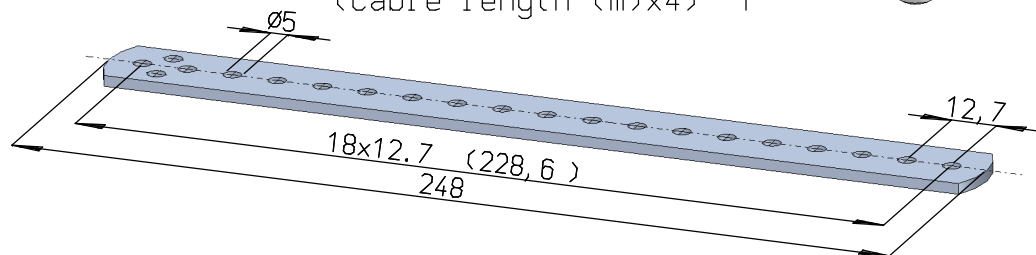
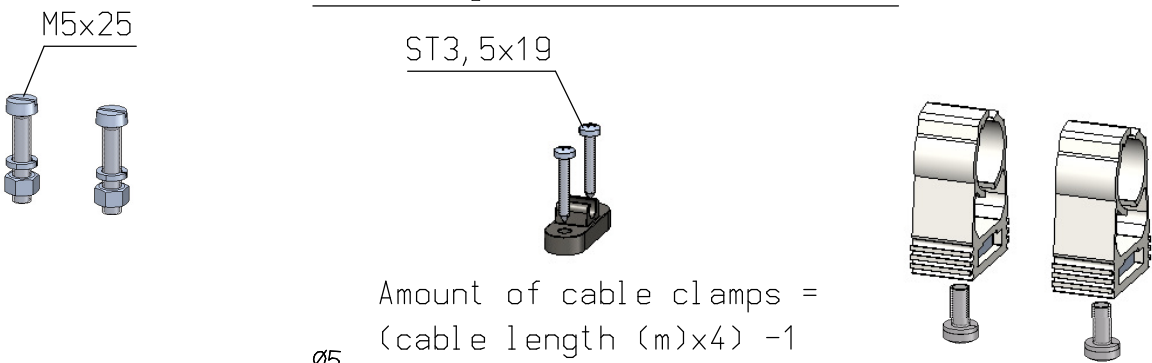


Mounting materials included



Supply voltage max. 20 kV DC

SIMCO ION An ITW Company www.simco-ion.nl Tel: +31 (0)573 288333		Name: Pinner Claw-JBH (connector for J-Block Head)			Drawn: AB	Part no.: -
CAD generated NOT updated	Dimensions in mm	Date: 27-8-2015	A3	M: -	ECN-	Check: -
					Dwg. no.: 09270660	