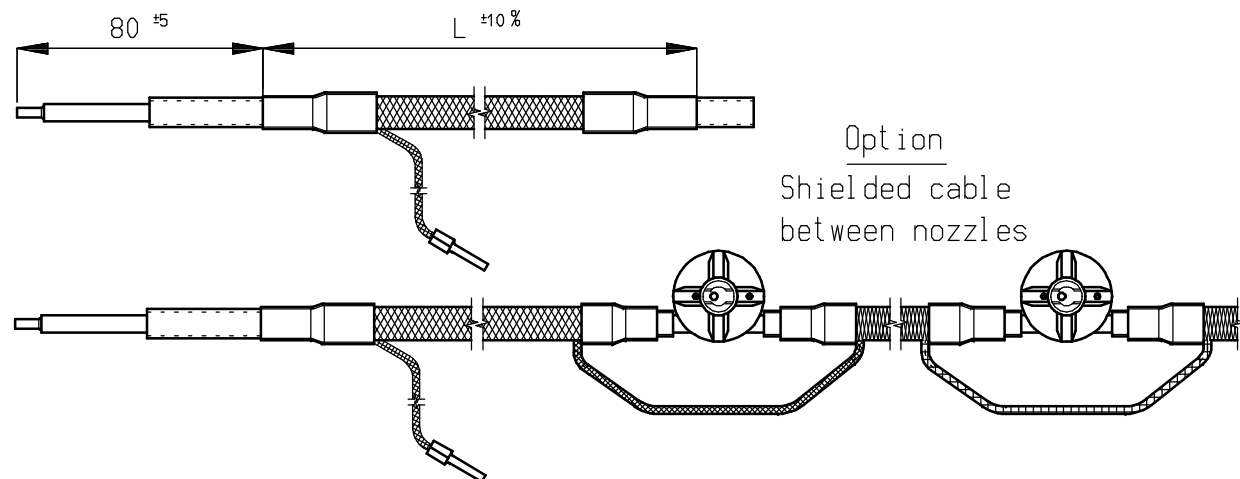


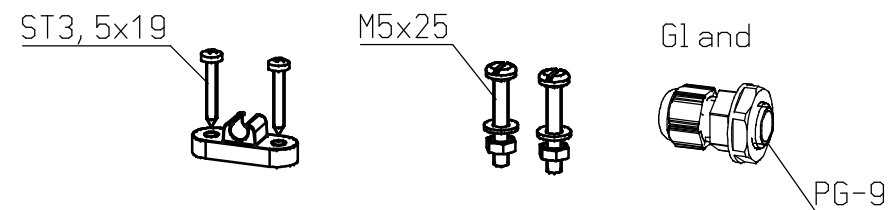
Note:  
 Delivery of Dead-Ends is including HV-Cable. (Standard 3m.)  
 Delivery of Cable-Ends is excluding HV-Cable.

### Cable exit options

(With shielded HV-cable)

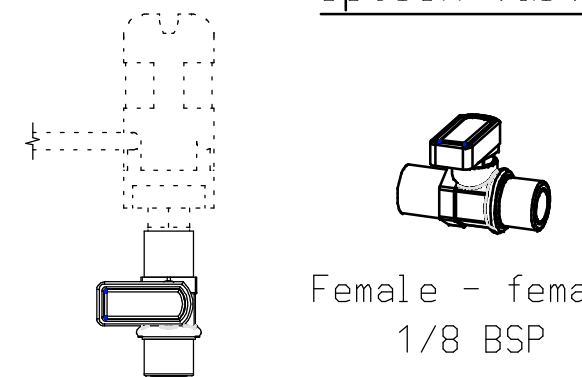


### Mounting materials included



Amount of cable clamps =  
 (cable length(m)x4)-1  
 (only with standard HV-cable)

### Option Valve



Female - female  
 1/8 BSP  
 Part no.: 9146982101